

NEW



SANY

Quality Changes the World

Operating Weight : 2680 kg Bucket Capacity : 0.08 m³ Engine Power : 20.4 HP (15.2 kW)/ 2500 rpm

**SUPERIOR VERSATILITY
EXCELLENT PERFORMANCE
HIGH RELIABILITY**



SY27U

HYDRAULIC MINI EXCAVATOR

SPECIFICATIONS

SY27U

ENGINE

Model	Yanmar 4WNNNA
Type	3 Cylinder, Inline, Water Cooled Diesel
Rated Engine Powe	20.4HP (15.2kW)/2500rpm
Battery	1x12 V
Displacement	1,267 L

CONTROL SYSTEM

Control Hydraulic System Load sensing system

Standard high-end display controller for better machine performance monitoring

HYDRAULIC SYSTEM

Main Pumps	Variable displacement pump
Max. Flow	81 lpm
Pilot Pump	NA
Travel Motor	2 Axial piston motor with parking brake
Swing Motor	1 Axial piston motor

RELIEF VALVE SETTINGS

Implement Circuit	24.5 MPa
Swing Circuit	19.6Mpa
Travel Circuit	24.5 MPa
Pilot Circuit	3.5 MPa

UNDERCARRIAGE & WORKING DEVICE

Track Shoes (Each Side)	41
Upper Roller (Each Side)	1
Lower Roller (Each Side)	3
Std. Track	300 mm
Std. Boom	2100 mm
Std. Arm	1300 mm
Std. Bucket	0.08 m ³

PERFORMANCE

Max. Travel Speed(High/Low)	4.5/2.6 km/h
Swing Speed	10.6 rpm
Max Gradeability	30°(58%)
Ground Pressure	25.5kPa
Max. Tracking Force	20kN
Bucket Digging Force	24.3kN
Arm Digging Force	14.2kN

SERVICE REFILL CAPACITIES

Hydraulic Tank	30 L
Fuel Tank	34 L
Engine Oil	3.4 L
Radiator	4.1 L
Swing Device	NA
Travel Device	2 X 0.6L

DIMENSION (Unit: mm)

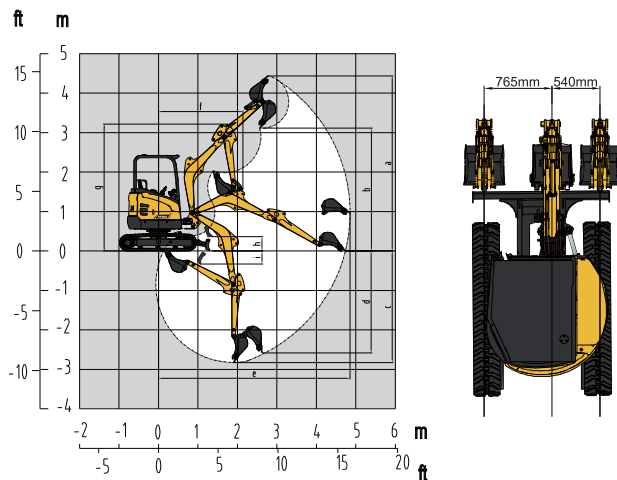


DIMENSION (Unit: mm)

Arm 1300

A. Overall Length	4285
B. Overall Width	1550
C. Overall Height	2430
D. Upper Width	1380
E. Blade Height	300
F. Std. Track Shoe Width	300
G. Track Gauge	1250
H. Min. Ground Clearance	290
I. Rear-end Swing Radius	775
J. Distance Between Tumblers	1560
K. Under Carriage Length	2005

WORKING RANGE (Unit: mm)



WORKING RANGE

Arm 1300

a. Max. Cutting Height	4410
b. Max. Dumping Height	3100
c. Max. Digging Depth	2820
d. Vertical Digging Depth	2585
e. Max. Digging Reach	4850
f. Min. Swing Radius	2110
g. Max. Height At Min. Swing Radius	3200
h. Max. ground clearance when dozer is up	360
i. Max. depth of dozer blade down	330

SANY HEAVY INDUSTRY INDIA PVT. LTD.

HEAD OFFICE

Address : Plot No. E-4, Chakan Industrial Area Phase-III,
Village Kuruli, Taluka Khed, District Pune - 410501,
Maharashtra, INDIA.

E-mail : customercare@sany.in

Website : www.sany.in

Toll Free No.: 1800-209-3337



Material & specification are subject to change without prior notice in accordance with our continuous technical innovations. Featured machines in photos may include additional equipment.